

Important: (1) Normal maintenance and adjustments to the product is the responsibility customer. (2) Normal wear and tear is not covered under warranty. (3) Rubber/plastic parts and consumables such as blades, clutch and clutch-bell, spark-plugs, nylon line, air-filters, fuel-filters, oil seals etc. are not covered under the warranty.

No Warranty On Electrical Motor / Electrical Parts / Battery Etc.

Incidental / Consequential Loss: KisanKraft Limited or its manufacturers will not be liable for general damages, including bodily injuries, or for incidental or consequential damages including, but not limited to, loss of use, loss of profits, loss of production, expense of substitute equipment or other commercial loss or damage.

Limitation of Liability: This limited warranty is in lieu of all other express warranties, obligations, or liabilities. Any implied warranties, obligations or liabilities, including, but not limited to, any implied warranty of merchantability shall be limited in duration to the applicable warranty period. Any action for breach of any warranty hereunder, including, but not limited to, any implied warranty of merchantability must be brought within the applicable warranty period.

Modifications of Warranty: No agent, representative, dealer, or employee of KisanKraft Limited or any of its manufacturers has the authority to increase or alter the obligations of this warranty.

Assignment / Transfer of warranty: The warranty cannot be assigned and shall not transfer if the product is resold by the first buyer. The above warranties are extended to the first end user (original purchaser), and no warranty is made, nor authorized to be made assignable on resale by the first end user.

What you must do to obtain limited warranty service: To obtain performance of any obligation under this warranty for failure during the applicable warranty period, deliver the defective product, to the nearest Authorized Dealer. KisanKraft Limited, its manufacturers and its dealers reserve the right to inspect the claimed defective part(s) to determine if the malfunction is the result of a defect covered by this warranty. Please note that the decision of KisanKraft Limited with respect to any warranty claim is final.

Receipt is required for availing warranty services

Jurisdiction: All disputes are subject to Bangalore court's jurisdiction.

Our Products	<ul style="list-style-type: none"> ◆Chainsaws◆Brush Cutters and Accessories◆Harvesters◆ ◆Engines and Water Pumps◆Hand Tools◆ Garden Tools◆ ◆Cultivators and Accessories◆Sprayers and Accessories◆ ◆Transplanter and Post Hole Digger ◆ Milking Machines ◆
---------------------	---

This warranty is null & void, if you fail to register the warranty with KisanKraft by sending the KisanKraft Copy with dealer's stamp.

KisanKraft Limited (formerly known as KisanKraft Machine Tools P Ltd)

🌐: www.kisankraft.com ✉: info@kisankraft.com ☎: +91.80.22178200

Product	Lawn Mower-Hand operated	KisanKraft Invoice Date	
Brand	KisanKraft	KisanKraft Invoice No.	
Model	<input type="checkbox"/> KK-LMM-350 <input type="checkbox"/> KK-LMM-400 <input type="checkbox"/> KK-LMM-450		
WARRANTY PERIOD	6 MONTHS	FOR THE SPECIFIED PERIOD FROM THE DATE OF SALE OR DELIVERY WHICHEVER IS EARLIER.	
Dealer's Invoice Date		Dealer's Invoice No.	
Buyer's Info (Name, Address, Phone, etc.):		Dealer's Stamp (Address, Phone, TIN, etc.):	
Buyer's Sign		Dealer's Sign	

What is covered: KisanKraft Limited and its manufacturers warrant this product to be free from defects in material or workmanship. All parts defective in material and workmanship are covered.

This warranty will only cover defects arising under normal usage.

This warranty is limited to repair or replacement by KisanKraft Limited or its manufacturers at the premises of Authorized Dealers, of such parts as appear to KisanKraft or its manufacturers, upon inspection, to be defective in material and/or workmanship. KisanKraft or its manufacturers make no warranty with respect to trade accessories not manufactured or sold by them.

What is not covered: The warranty shall become null and void and neither KisanKraft Limited nor any of its manufacturers, nor its authorized dealers assumes any responsibility, if the failure was caused by the following:

- (1) Operation of product with incorrect fuel or lubricants,
- (2) Incorrect usage of machine or misuse,
- (3) Lack of maintenance,
- (4) Negligence,
- (5) Accident or physical damage,
- (6) Repairs made by unauthorized parties and/or with unauthorized parts,
- (7) Improper set up, adjustments, tampering or altered products

This warranty is null & void, if you fail to register the warranty with KisanKraft by sending the KisanKraft Copy with dealer's stamp.

KisanKraft Limited (formerly known as KisanKraft Machine Tools P Ltd)

🌐: www.kisankraft.com ✉: info@kisankraft.com ☎: +91.80. 22178200

Important: (1) Normal maintenance and adjustments to the product is the responsibility of the customer. (2) Normal wear and tear is not covered under warranty (3) Rubber/plastic parts and consumables such as blades, clutch and clutch-bell, spark-plugs, nylon line, air-filters, fuel-filters, oil seals etc. are not covered under the warranty.

No Warranty On Electrical Motor / Electrical Parts / Battery Etc.

Incidental / Consequential Loss: KisanKraft Limited or its manufacturers will not be liable for general damages, including bodily injuries, or for incidental or consequential damages including, but not limited to, loss of use, loss of profits, loss of production, expense of substitute equipment or other commercial loss or damage.

Limitation of Liability: This limited warranty is in lieu of all other express warranties, obligations, or liabilities. Any implied warranties, obligations or liabilities, including, but not limited to, any implied warranty of merchantability shall be limited in duration to the applicable warranty period. Any action for breach of any warranties hereunder, including, but not limited to, any implied warranty of merchantability must be brought within the applicable warranty period.

Modifications of Warranty: No agent, representative, dealer, or employee of KisanKraft Limited or any of its manufacturers has the authority to increase or alter the obligations of this warranty.

Assignment / Transfer of warranty: The warranty cannot be assigned and shall not transfer if the product is resold by the first buyer. The above warranties are extended to the first end user (original purchaser), and no warranty is made, nor authorized to be made assignable on resale by the first end user.

What you must do to obtain limited warranty service: To obtain performance of any obligation under this warranty for failure during the applicable warranty period, deliver the defective product, to the nearest Authorized Dealer. KisanKraft Limited, its manufacturers and its dealers reserve the right to inspect the claimed defective part(s) to determine if the malfunction is the result of a defect covered by this warranty. Please note that the decision of KisanKraft Limited with respect to any warranty claim is final.

Receipt is required for availing warranty services

Jurisdiction: All disputes are subject to Bangalore court's jurisdiction.

Our Products	<ul style="list-style-type: none"> ◆Chainsaws◆Brush Cutters and Accessories◆Harvesters◆ ◆Engines and Water Pumps◆Hand Tools◆ Garden Tools◆ ◆Cultivators and Accessories◆Sprayers and Accessories◆ ◆Transplanter and Post Hole Digger ◆ Milking Machines ◆
---------------------	---

This warranty is null & void, if you fail to register the warranty with KisanKraft by sending the KisanKraft Copy with dealer's stamp.

KisanKraft Limited (formerly known as KisanKraft Machine Tools P Ltd)

🌐: www.kisankraft.com ✉: info@kisankraft.com ☎: +91.80. 22178200

Product	Lawn Mower-Hand Operated	KisanKraft Invoice Date	
Brand	KisanKraft	KisanKraft Invoice No.	
Model	<input type="checkbox"/> KK-LMM-350 <input type="checkbox"/> KK-LMM-400 <input type="checkbox"/> KK-LMM-450		
WARRANTY PERIOD	6 MONTHS	FOR THE SPECIFIED PERIOD FROM THE DATE OF SALE OR DELIVERY WHICHEVER IS EARLIER.	
Dealer's Invoice Date		Dealer's Invoice No.	
Buyer's Info (Name, Address, Phone, etc.):		Dealer's Stamp (Address, Phone, TIN, etc.):	
Buyer's Sign		Dealer's Sign	

What is covered: KisanKraft Limited and its manufacturers warrant this product to be free from defects in material or workmanship. All parts defective in material and workmanship are covered.

This warranty will only cover defects arising under normal usage.

This warranty is limited to repair or replacement by KisanKraft Limited or its manufacturers at the premises of Authorized Dealers, of such parts as appear to KisanKraft or its manufacturers, upon inspection, to be defective in material and/or workmanship. KisanKraft or its manufacturers make no warranty with respect to trade accessories not manufactured or sold by them.

What is not covered: The *warranty shall become null and void* and neither KisanKraft Limited nor any of its manufacturers, nor its authorized dealers assumes any responsibility, if the failure was caused by the following:

- (1) Operation of product with incorrect fuel or lubricants,
- (2) Incorrect usage of machine or misuse,
- (3) Lack of maintenance,
- (4) Negligence,
- (5) Accident or physical damage,
- (6) Repairs made by unauthorized parties and/or with unauthorized parts,
- (7) Improper set up, adjustments, tampering or altered products

This warranty is null & void, if you fail to register the warranty with KisanKraft by sending the KisanKraft Copy with dealer's stamp.

KisanKraft Limited (formerly known as KisanKraft Machine Tools P Ltd)

🌐: www.kisankraft.com ✉: info@kisankraft.com ☎: +91.80. 22178200



Wide Range of Products for Every Need



Operation Manual



LMM-350

LMM-400

LMM-450

KisanKraft Limited

(Formerly known as KisanKraft Machine Tools Pvt. Ltd)

Sri Huchhanna Tower, #4, 1st Main, 7-A Cross, Maruthi Layout, Dasarahalli,
HAF Post, Hebbal, Bangalore 560024, Karnataka, INDIA

- ◆ Bangalore (HO) ◆ Ahmedabad ◆ Bhopal ◆ Bhubaneswar ◆ Coimbatore ◆
 ◆ Guwahati ◆ Shimla ◆ Hinudpur ◆ Hubli ◆ Hyderabad ◆ Jaipur ◆
 ◆ Karnal ◆ Kolkata ◆ Lucknow ◆ Jammu ◆ Patna ◆ Pune ◆ Raipur ◆

For more information give **MISSED CALL: 07676065555**



Many of our products have BIS: ISI certification.



KisanKraft has a large range of products to serve the farmers. A list of our products is given below:

<p>Brush Cutters and Accessories</p> <ul style="list-style-type: none"> Brush Cutter/Power Weeder Backpack Brush Cutter Tea Pruner Pole pruner with Engine Reaper Attachment Blades-Circular Blades (2 & 3 points) Baffle Nylon Rope Tap & Go <p>Chainsaws</p> <ul style="list-style-type: none"> Petrol Chainsaw Electric Chainsaw Chain Sharpening Machine <p>Engines and Water Pumps</p> <ul style="list-style-type: none"> Engine –Diesel-(Horizontal) Engine –Diesel-(Vertical) Engine-Kerosene Water Pump with Petrol Engine Water Pump with Kerosene Engine Water Pump with Diesel Engine <p>Hand Tools</p> <ul style="list-style-type: none"> Secateurs Folding Saw Garden Rake Garden Shovel Hedge Shear Lopper Telescopic Hedge Shear Telescopic Lopping Shear Tree Pruner Telescopic Steel Pipe & Fruit Picker Bag Sheep Shear <p>Garden Tools</p> <ul style="list-style-type: none"> Electric Pressure Washer Hedge Trimmer Lawn Mower (Electric, Petrol & Manual) Leaf Blower 	<p>Cultivators and Accessories</p> <ul style="list-style-type: none"> Petrol and Diesel <p>Sprayers and Accessories</p> <ul style="list-style-type: none"> Battery Sprayer Portable Power Sprayer Trolley Sprayer Manual Knapsack Sprayer Manual Pressure Sprayer Rose Cans Hose Crimping Machine HTP Sprayer HTP Delivery Hose HTP Hose Reel HTP Stand HTP Gun / Lance(Brass Rod) Knapsack Power Sprayer Mister / Duster / Granuel Spreader HTP Sprayer Set with Diesel Engine HTP Sprayer Set with Kerosene Engine Fogging Machine <p>Milking Machine</p> <ul style="list-style-type: none"> Wood Shredder Fodder Ensiling Chaff Cutter Fodder Grinder Chaff Cutter Fodder Mini Chaff Cutter <p>Harvester</p> <ul style="list-style-type: none"> Maize Sheller Maize Sheller + Dehusker Maize Combine Harvester Onion Digger Carlotti Italy Tea Leaf Harvester Sugarcane Combine Harvester Sugarcane Leaf Stripper <p>Transplanter and Post Hole Digger</p> <ul style="list-style-type: none"> Paddy Transplanter (2 & 8 Rows) Transplanter-Vegetable & Tobacco Post Hole Digger(4" to 14" Augers)
---	---

MAINTENANCE

To ensure long and reliable service, carry out the following maintenance regularly.

1. Regularly check for obvious defects such as loose, dislodged or damaged blades. Loose fixings and worn or damaged components.
2. Check that covers and guards are undamaged and correctly fitted. Carry out necessary maintenance or repairs before using.
3. If the mower should happen to fail despite the care taken in manufacture and testing, repair should be carried out by an authorized service agent.
4. To avoid damage to mower or cutting blades, keep area to be mowed free from debris.
5. For best results, regularly apply lubricant to mower’s cutting surfaces, cutting reel axle, shaft and wheels.
6. Clean any grinding compound or debris from the cutter bar blade, reel blade, pinions and pawls.
7. Sharpening the cutting blades:
 - a) Spread a thin layer of lapping compound on the front edge of he reel blades.
 - b) Adjust the cuter bar so that the blade has light but firm contact across the full width of the cutter. Do not over tighten the adjusting screws, as this could damage the cutter bar. Tighten both screws during final adjustment.
 - c) Turn the reel blades until the front edge of the cutter bar blade is polished.
Note: Use industrial or valve lapping compound between 100 and 240 grit. Lubricate the axle and pinion with a light film of wheel bearing grease.

CLEANING AND STORAGE

1. Clean the exterior of the machine thoroughly using a soft brush and cloth .Do not use water, solvents or polishes. Remove all grass and debris.
2. Turn the machine on its side and clean the blade area, do not place hands in the mower near blades. If grass cuttings are compacted in the blade area, remove using a wooden or plastic cleaning tool appropriate for the cleaning of the blades.
3. Store the lawnmower in a dry place. Do not place other objects on top of the machine.

CONTENTS

BEFORE GETTING STARTED8

SAFETY INSTRUCTIONS.....8

COMPONENTS9

ASSEMBLY INSTRUCTIONS11

LMM-45011

LMM-40016

LMM-35018

USING THE LAWN MOWER19

TECHNICAL SPECIFICATIONS.....19

MAINTENANCE20

CLEANING AND STORAGE20

Product	Lawn Mower-Hand operated	KisanKraft Invoice Date	
Brand	KisanKraft	KisanKraft Invoice No.	
Model	<input type="checkbox"/> KK-LMM-350 <input type="checkbox"/> KK-LMM-400 <input type="checkbox"/> KK-LMM-450		
WARRANTY PERIOD	6 MONTHS	FOR THE SPECIFIED PERIOD FROM THE DATE OF SALE OR DELIVERY WHICHEVER IS EARLIER.	
Dealer's Invoice Date		Dealer's Invoice No.	
Buyer's Info (Name, Address, Phone, etc.):		Dealer's Stamp (Address, Phone, TIN, etc.):	
Buyer's Sign		Dealer's Sign	

What is covered: KisanKraft Limited and its manufacturers warrant this product to be free from defects in material or workmanship. All parts defective in material and workmanship are covered.

This warranty will only cover defects arising under normal usage.

This warranty is limited to repair or replacement by KisanKraft Limited or its manufacturers at the premises of Authorized Dealers, of such parts as appear to KisanKraft or its manufacturers, upon inspection, to be defective in material and/or workmanship. KisanKraft or its manufacturers make no warranty with respect to trade accessories not manufactured or sold by them.

What is not covered: The warranty shall become null and void and neither KisanKraft Limited nor any of its manufacturers, nor its authorized dealers assumes any responsibility, if the failure was caused by the following:

- (1) Operation of product with incorrect fuel or lubricants,
- (2) Incorrect usage of machine or misuse,
- (3) Lack of maintenance,
- (4) Negligence,
- (5) Accident or physical damage,
- (6) Repairs made by unauthorized parties and/or with unauthorized parts,
- (7) Improper set up, adjustments, tampering or altered products.

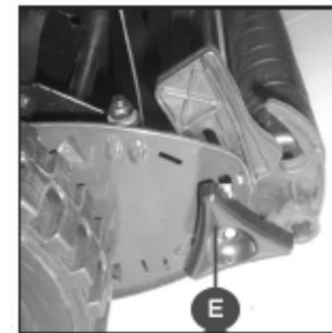
This warranty is null & void, if you fail to register the warranty with KisanKraft by sending the KisanKraft Copy with dealer's stamp.

KisanKraft Limited (formerly known as KisanKraft Machine Tools P Ltd)

🌐: www.kisankraft.com ✉: info@kisankraft.com ☎: +91.80. 22178200

Mowing height

The mowing height can be adjusted by changing the height of the roller. Slacken the two knobs one on each side of the cutting height roller (fig. E) and set the height of the roller to give the required height of cut. It is important that when adjusting the cutting height that each end of the roller is adjusted by the same amount to keep the roller level. If this is not done an uneven cut will result. **Note.** The roller should always be horizontal. High grass should first be mowed at the highest mowing height and then gradually decrease the hand mower height to the preferred level.



Adjustment of lower blade

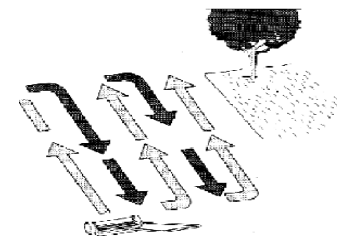
Refer LMM-400 above.

USING THE LAWN MOWER

Make sure that the lawn is clear of sticks, stone, bones, wire and any other debris: that could be thrown by the blade. Before using your mower always visually inspect it to see that the blades and cutter assembly are not worn or damaged. Replace worn or damaged blades.

Mowing Tips:

1. For best results place the lawnmower on the edge of the lawn, mow in forward direction, then at right angles at the end of each turn, slightly overlapping the previously cut strip.
2. Cut your grass twice a week during the growing season.
3. Your lawn will suffer if more than one third of its length is cut at a time.



TECHNICAL SPECIFICATIONS

Product Code	KK-LMM-350	KK-LMM-400	KK-LMM-450
Cutting Width	350	400	450
Height adjustment	15-42 mm		31-62 mm
Grass Catcher material	Plastic		Fabric

🌐: www.kisankraft.com ✉: info@kisankraft.com ☎: +91.80. 22178200

CUTTING HEIGHT ADJUSTMENT:

The cutting height can be adjusted by raising or lowering the cutting height roller. Loosen the two knobs, one on each side of the cutting height roller (Fig 1) and set the height of the roller to give the required height of cut (Fig 2). It is important that when adjusting the cutting height that each end of the roller is adjusted by the same amount.

If this is not done an uneven cut will result.

Fig 1

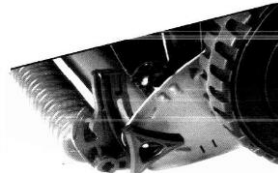
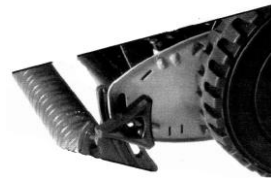


Fig 2



LMM-350

Assembly

The assembly of the handlebar comes in 3 sections: Lower (1), Middle (2) & Upper (3).

1. Attach the upper portion onto the middle portion.
2. Then attach the middle portion onto the lower portion with the four nuts & bolts provided. This middle portion comprises of 2 individual tubes which need to be assembled in a "cross" formation.
3. Fit the lower portion of the handlebar onto the metal shroud (4) which covers the rotating blades. By pressing the bottom ends of the handlebar onto the pins it securely locks the handlebars into position.



Important: (1) Normal maintenance and adjustments to the product is the responsibility of the customer. (2) Normal wear and tear is not covered under warranty.

(3) Rubber/plastic parts and consumables such as blades, clutch and clutch-bell, spark-plugs, nylon line, air-filters, fuel-filters, oil seals etc. are not covered under the warranty.

No Warranty On Electrical Motor / Electrical Parts / Battery Etc.

Incidental / Consequential Loss: KisanKraft Limited or its manufacturers will not be liable for general damages, including bodily injuries, or for incidental or consequential damages including, but not limited to, loss of use, loss of profits, loss of production, expense of substitute equipment or other commercial loss or damage.

Limitation of Liability: This limited warranty is in lieu of all other express warranties, obligations, or liabilities. Any implied warranties, obligations or liabilities, including, but not limited to, any implied warranty of merchantability shall be limited in duration to the applicable warranty period. Any action for breach of any warranty hereunder, including, but not limited to, any implied warranty of merchantability must be brought within the applicable warranty period.

Modifications of Warranty: No agent, representative, dealer, or employee of KisanKraft Limited or any of its manufacturers has the authority to increase or alter the obligations of this warranty.

Assignment / Transfer of warranty: The warranty cannot be assigned and shall not transfer if the product is resold by the first buyer. The above warranties are extended to the first end user (original purchaser), and no warranty is made, nor authorized to be made assignable on resale by the first end user.

What you must do to obtain limited warranty service: To obtain performance of any obligation under this warranty for failure during the applicable warranty period, deliver the defective product, to the nearest Authorized Dealer. KisanKraft Limited, its manufacturers and its dealers reserve the right to inspect the claimed defective part(s) to determine if the malfunction is the result of a defect covered by this warranty. Please note that the decision of KisanKraft Limited with respect to any warranty claim is final.

Receipt is required for availing warranty services

Jurisdiction: All disputes are subject to Bangalore court's jurisdiction.

<h3>Our Products</h3>	<ul style="list-style-type: none"> ◆Chainsaws◆Brush Cutters and Accessories◆Harvesters◆ ◆Engines and Water Pumps◆Hand Tools◆Garden Tools◆ ◆Cultivators and Accessories◆Sprayers and Accessories◆ ◆Transplanter and Post Hole Digger◆Milking Machines◆
-----------------------	---

This warranty is null & void, if you fail to register the warranty with KisanKraft by sending the KisanKraft Copy with dealer's stamp.

KisanKraft Limited (formerly known as KisanKraft Machine Tools P Ltd)

BEFORE GETTING STARTED

Read and understand all the instructions given in this manual before attempting to operate this product and preserve it for future reference. The operator or user alone is responsible for any accidents or hazards occurring to other people or their property.

SAFETY INSTRUCTIONS

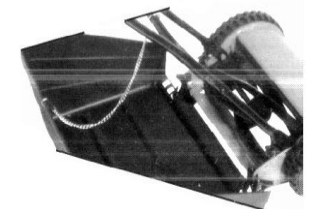
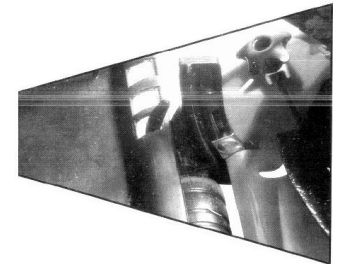
1. Children and pets should be kept out of the work area. Children should not be allowed to touch or operate the machinery. All products should be kept out of reach of children. Store products in a secure cabinet or room when not in use.
2. Do not wear loose clothing, jewellery or anything that could get caught in the moving machine.
3. The use of safety goggles is mandatory (normal glasses are not sufficient for eye protection)
4. Where there is a risk of slipping, suitable non slip safety footwear should be worn.
5. Keep cutting tools sharp and clean for better and safer performance. Follow the instructions for lubricating and changing accessories. Keep handles dry, clean and free from oil and grease.
6. Ensure that ventilation slots are kept clean and free from dust at all times. Blocked ventilation slots can cause overheating and damage to the motor.
7. Watch what you are doing, use common sense and do not operate the product when you are tired, on medication that causes drowsiness or when having consumed alcohol or taken drugs.
8. Before using any product it should be carefully checked to determine that it will operate properly and perform its intended function. Check for the correct alignment of moving parts, ensure that moving parts do not bind, check that there are no broken parts and that the product is mounted carefully and check any other condition that may affect the operation of the product.
9. A guard or any other part of the product that is damaged should be properly repaired or replaced by an authorized service centre unless otherwise indicated in this instruction manual.
10. Any switch that doesn't operate correctly must be replaced by an authorized service centre.
11. Do not mow bare foot or with open sandals. Always wear suitable clothing, gloves and stout shoes. Make sure that the lawn is clear of sticks, stones, bones, wire and any other debris that could be thrown by or cause damage to the blade. Before using your mower always visually and inspect it to see that the blades are not worn or damaged.
12. Use the cylinder mower only in daylight or in good artificial light.
13. Avoid operating your rotary mower on wet grass where ever possible. If this is unavoidable, take care as you could slip and lose your footing. Take extra care when mowing on slopes, you could lose your footing. Wear non slip footwear.
14. Always mow across the face of the slopes, never up and down. Always use extreme caution when changing direction of slopes. Walk, never run. Mowing on banks and steep slopes can be dangerous.
15. Never intentionally strike or hit trees, fences, etc., This can cause injuries or severely damage the reel mower mechanisms

3. Attach the upper handle to the handle extensions using the nuts & screws provided.



FITTING THE GRASS COLLECTING BOX:

1. The grass collecting box is to be used. locate the lower end over the attachment located in front at the cutting height roller
2. Attach one end of the support chain to the upper edge of the grass collecting box. Hook the other end of the chain to the lower handle cross piece. The height of the grass collecting box can be adjusted by taking one or more turns of the chain around the lower handle cross piece.



ADJUSTMENT OF LOWER BLADE

This operation will have to be done whilst carefully turning the cylinder blade. The fixed blade must be set correctly in order for the lawnmower to work efficiently. Carefully tighten the two adjusting knobs (fig. F) by turning them slowly in the clockwise direction. When the cylinder blade just makes contact with the fixed blade turn the rotating knobs slightly in an anticlockwise direction until the rotating blade turns without touching the fixed blade.



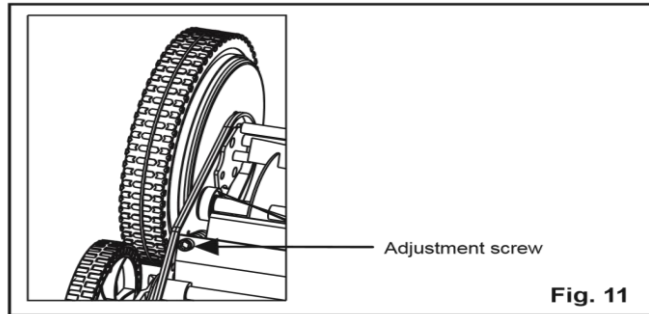


Fig. 11

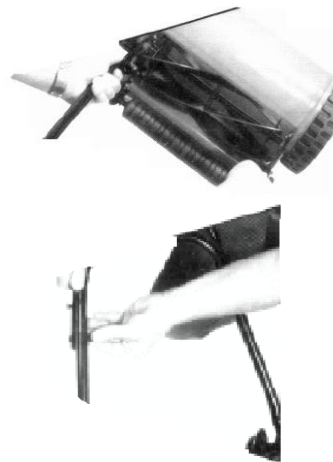
CHECKING THE ADJUSTMENT

1. Turn mower upside down.
2. Insert a piece of paper between cutter bar and lawn blades, and slowly turn wheel by hand.
3. All blades should slice the paper evenly, along the entire length of the cutter bar while the lawn turns smoothly.
4. If mower has an intermittent cut, adjustment should be made to the appropriate side of blades to attain proper cutting action.

LMM-400

ASSEMBLY

1. Attach the lower handle to the mower body by locating the two holes over the two pages on either side of the of the mower body
2. Attach the handle extensions to the lower handle using nuts and screws provided.



WARNING

Do not attempt to modify the product in any way. The use of any attachment or accessory other than those recommended in this instruction manual could result in damage to the product and injury to the operator.

Before each use

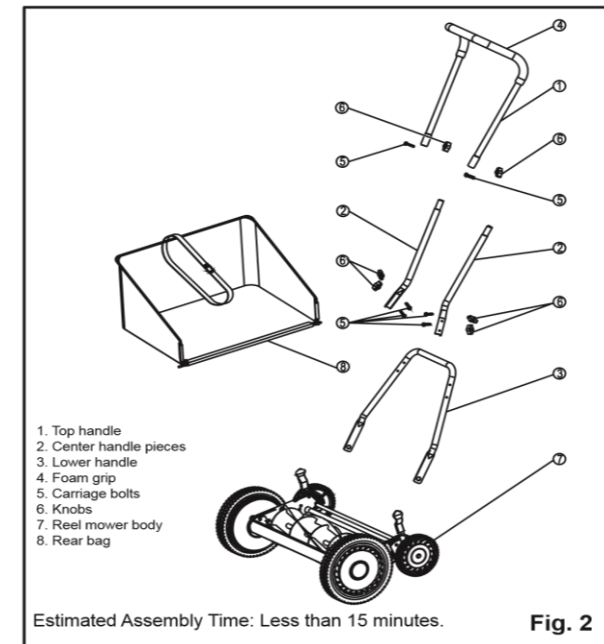
Check that all the nuts, bolts and screws are still tight and ensure that the cylinder mower is in safe working condition. Always replace any worn or damaged parts to ensure that the rotary mower remains in a safe operating condition. Take care when carrying out any repairs or adjustments and also when carrying the mower to the lawn as the blades are sharp.

Intended Use:

This product is intended for domestic lawn mowing only.

COMPONENTS

LMM-450:



PACKING LIST	
Component	Quantity
Top handle	1
Center handle pieces	2
Lower handle piece	1
Knobs	6
Carriage bolts	6
Lawn mower body	1
Rear bag	1

Hardware Contents:

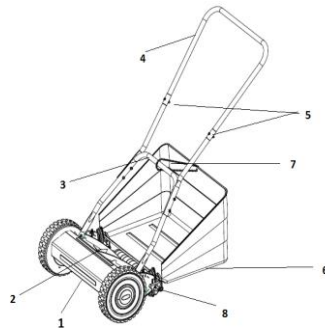


M6X35
Carriage bolt
Qty.6

Knobs
Qty.6

LMM-400

1. Mower body
2. Cylinder blade
3. Lower handle
4. Upper handle
5. Handle extensions
6. Grass collecting box
7. Support chain
8. Cutting height roller



ALIGN CUTTING PATH INDICATION ARROWS WITH PREVIOUSLY CUT PATH (See Figure 10)

NOTE: Do not use wheels as a reference point for grass cut line.

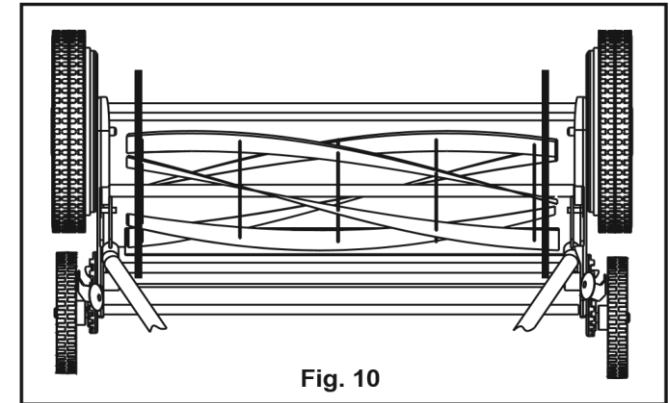


Fig. 10

MOWER BLADE ADJUSTMENT (See Figure 11)

WARNING:

BLADES ARE EXTREMELY SHARP. TO AVOID INJURY, DO NOT TOUCH BLADES WHEN MAKING ADJUSTMENTS

NOTE: Blades are factory adjusted.

- Misalignment can occur, often caused by blades being too loose or too tight. This can cause an uneven cut or difficulty pushing the mower.
- Each end of the cutting bar is adjusted separately. To move the cutting bar closer to the blades turn the adjustment screw clockwise.
- To move the cutting bar away from the blades turn the adjustment screw counterclockwise.
- In order to perform this adjustment you must first loosen the upper lock nut located between the front and rear radial wheels.

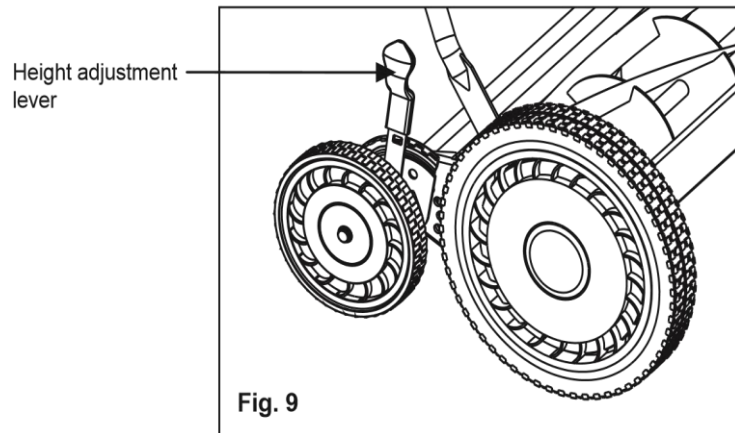
CAUTION

Adjusting the screws for blade adjustments is a very sensitive procedure. A sixteenth of a turn is considered a major adjustment. Before tightening one adjustment screw, make sure to loosen the opposite screw an equal amount.

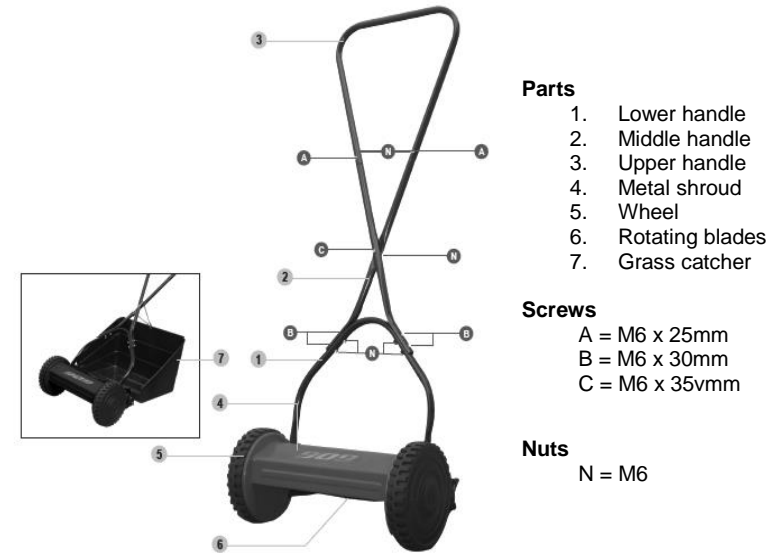
CUTTING HEIGHT ADJUSTMENT (See Figure 9)

- The cutting height of the mower adjusts from 1 3/8 - 2 1/2" (3.5-6.4 cm) with 9 positions for adjustment height by moving the height adjustment levers to the required position.
- To achieve the lowest cutting position, one at a time, move the adjustment levers on both sides, located next to the smaller wheels, up to the highest position.
- To achieve the highest cutting position, move the adjustment levers on both sides to their lowest position.
- Other cutting heights are achieved by moving the adjustment levers to any stop between the highest and lowest positions.

NOTE: The two adjustment levers **MUST** be set to the same position (height).



LMM-350:



Parts

1. Lower handle
2. Middle handle
3. Upper handle
4. Metal shroud
5. Wheel
6. Rotating blades
7. Grass catcher

Screws

- A = M6 x 25mm
- B = M6 x 30mm
- C = M6 x 35vmm

Nuts

- N = M6

ASSEMBLY INSTRUCTIONS

LMM-450

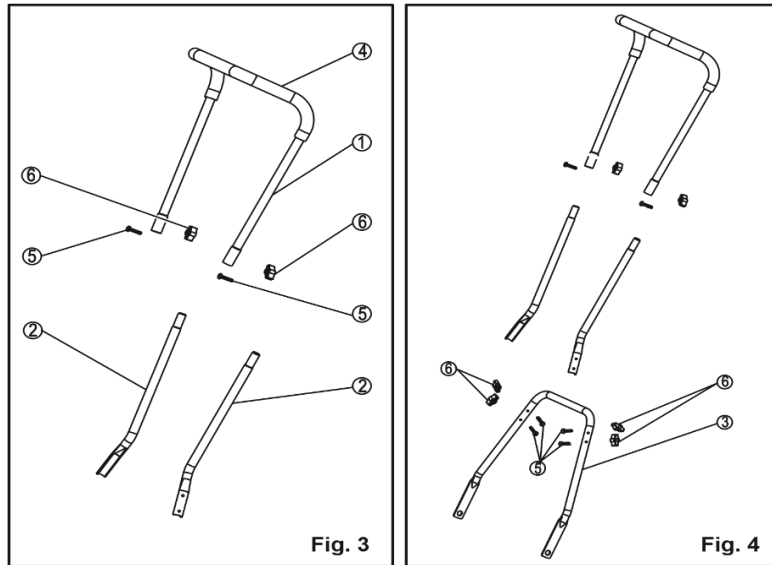
! WARNING:

- Do not allow familiarity with this product to make you careless. Remember that a careless fraction of a second is sufficient to inflict serious injury.
- Do not use any attachments or accessories not recommended by the manufacturer of this product. The use of attachments or accessories not recommended can result in serious personal injury.

ASSEMBLING THE HANDLE

NOTE: Do not completely tighten bolts until assembly is complete.

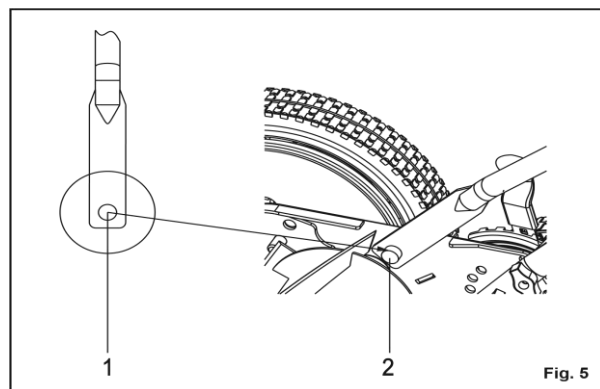
- Insert the two center handle pieces (2) into the left and right side of the top handle (1) and secure with two carriage bolts (5) and knobs (6) provided. (Fig. 3)
- Attach the top handle subassembly previously assembled, to the lower handle sub assembly using four carriage bolts (5) and knobs (6) provided. (Fig. 4)



Tighten all the knobs on the joints of the handle assembly.

ATTACHING THE HANDLE TO THE MOWER BASE (See Figure 5)

Align holes (1) at the lower end of each handle arm with posts (2) extending from the mower base side plates.
Slide lower ends of handle arms onto the posts.



ATTACHING THE REAR BAG (See Figure 6-8)

- Take out all components from the packing (Fig. 6).
- Place the hooks on the rear bag onto the roller shaft. Secured the bag to the lower handle using the belt supplied. (Fig. 7).
- Adjust strap for proper height so that the bag does not rub the ground while mowing or transporting. (Fig. 8).

